
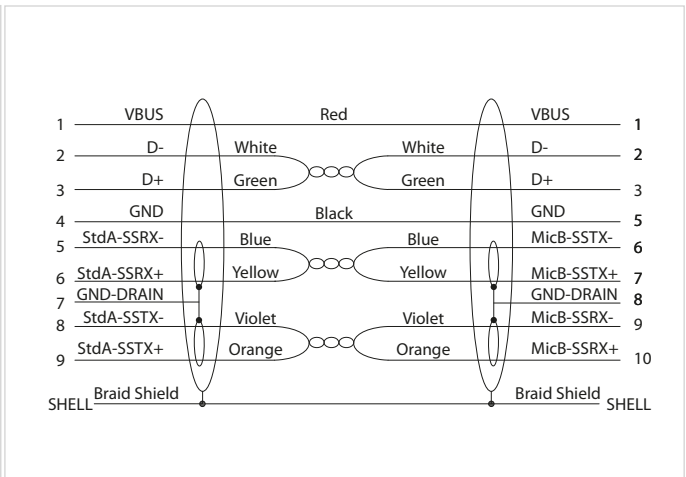


IDS Product Data:

Item number: AD00292
 Matchcode: USB 3.0 Std. Cable, ang. down, screw., 1.5m
 USB 3.0 Micro-B, angled down, screw. to USB-A
 Date: 22.04.2020

Zertificates:
RoHS Compliant 

Item	Description
1	USB A 3.0 (9 pin Moulded Plug) <BLK>
2	A86-4730 [OD=6.2mm] <BLK> E357566-ALY-C UL2725 2STP (#26x2C) +1UTP#28+ 2C#22
3	USB MicB 3.0 sl 90D A1 10P Moulded Plug with Screw Locking <BLK>
4	Cable Label



* This document is the property of IDS Imaging Development Systems GmbH. It must not be copied or otherwise disclosed without prior written consent.