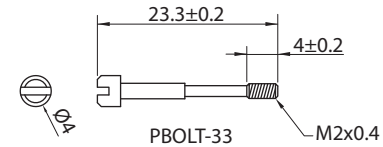
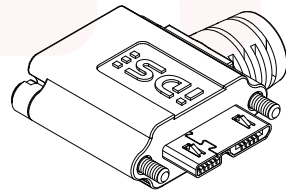


PN	"L"	IDS PN	Length (mm)	First Row of Bag Label Content
A74-8562-D[0.37]		AD00289	370 ± 20	USB 3.0 Std. Cable, left, screw., Xm (Kapsch)
A74-8562-D[3]		AD00285	3000 ± 50	USB 3.0 Std. Cable, left, screw., Xm (Kapsch)
A74-8562-D[5]		AD00294	5000 ± 100	USB 3.0 Std. Cable, ang. left, screw., Xm

UNIT : mm  
UNLESS OTHERWISE SPECIFIED  
ASSY LENGTH TOLERANCE

- < 150mm = ±10
- ≥ 150mm and < 250mm = ±15
- ≥ 250mm and < 500mm = ±20
- ≥ 500mm and < 1000mm = ±30
- ≥ 1000mm and < 5000mm = ±50
- 5000mm and above = ±100

### IDS LOGO ORIENTATION



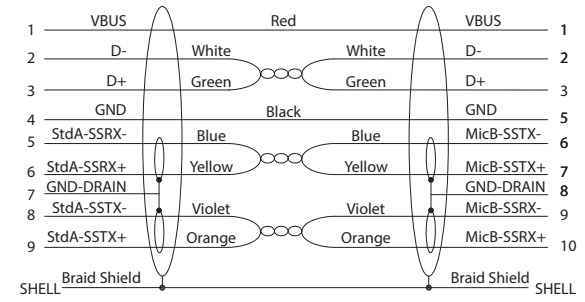
This document is the property of Alysium-Tech. It must not be copied or otherwise disclosed without prior written consent

### RoHS COMPLIANT

### BILL OF MATERIALS

Item	Description
1	USB A 3.0 (9 pin Moulded Plug) <BLK>
2	A86-4730 [OD=6.2mm] <BLK> E357566-ALY-C UL2725 2STP (#26x2C) +1UTP#28+ 2C#22
3	USB MicB 3.0 sl 90D A12 10 Pin Moulded Plug w. IDS Logo <BLK>
4	Cable Label
5	Heat Sealed PE Bag
6	PE Bag Label

### WIRING DIAGRAM



### PACKAGING DETAIL

